

MMR

Heavy Duty Magnetic Base

04/09/2015 v.2

Heavy Duty Magnetic Base



Hole-free mounting

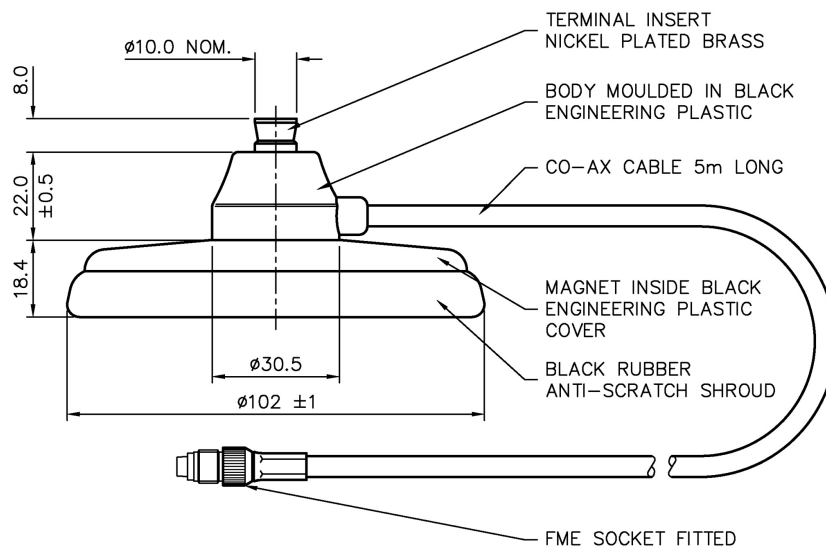
Rugged construction

Integrated 5m (16') RG58 cable

The MMR magnetic mount is a rugged, heavy duty base with an integrated 5m (16') RG58 coaxial cable. It has a modular stud fitting and is suitable for use with many of Panorama Antennas VHF and UHF modular antennas.

The radiating element can be selected from a range of Panorama Antennas products with a recommended max length of 1m (3'.3") dependent on product type. The recommended frequency range for this base runs up to 960MHz and the MMR range is especially suited for low frequency or higher gain whips.

Technical Drawing



PANORAMA ANTENNAS
Panorama Antennas Ltd
Frogmore, London, SW18 1HF, United Kingdom

T: +44 (0)20 8877 4444
F: +44 (0)20 8877 4477
E: sales@panorama-antennas.com
www.panorama-antennas.com

Waiver: The data given above is indicative of the performance of the product/s under particular conditions and does not imply a guarantee of performance. These specifications are subject to change without notice.

Copyright © Panorama Antennas Ltd. All rights reserved.

Part No.		MMR-5B	MMR-5F
Electrical Data			
Frequency Range:	dependent on whip (up to 960MHz)		
Max Input Power (W)	100		
Mechanical Data			
Dimensions (mm)	Base Height	48.4 (1.90")	
	Diameter	102 (4")	
Operating Temp	-30° / +80°C (-22° / 176°F)		
Material	A.B.S, plated brass and rubber boot		
Colour	Black		
Mounting Data			
Mounting type	Magnetic		
Maximum Whip Length (mm)	1000 (3'3")		
Recommended Max Speed (KMph)*	220 (135 Mph)		
Cable Data			
Cable Type	RG 58		
Cable Length (m)	5 (16')		
Cable Diameter (mm)	5 (0.2")		
Termination	BNC Plug	FME Jack	

We recommend the customer only uses Panorama whips

* Recommended max speed is based on safe installation practice with a Panorama whip not exceeding the stated maximum length. A headwind of up to 30 KMph (19Mph) is allowed for in the stated value. Adverse weather conditions / heavy icing or poor installation may decrease magnetic retention. Spacing materials (other than the fitted rubber boot) should never be placed between the magnet and the mounting surface as this will significantly impact retention and may make this installation unsafe. Panorama advocates safe driving practices and adherence to the maximum speed limits in force locally for the user. Users are recommended to follow best practice and conduct sensible risk assessments before driving at very high speeds.