

STANDARD HORIZON

Nothing takes to water like Standard Horizon

GX2400GPS

MATRIX NMEA2000 GPS

NMEA2000

ITU CLASS D

Dual Channel
AIS
Receiver and Display

66 ch GPS



Optional Wireless Access point (SCU-30)

Professional Grade Performance with NMEA2000 & AIS/GPS Receiver

Optional Wireless Remote Access Microphone (RAM4X SSM-72H)

* Requires optional Wireless Access point (SCU-30)



3 Year
WARRANTY

CLEARVOICE[®]
NOISE REDUCTION TECHNOLOGY

Dual Channel AIS
Receiver and Display

Integrated Dual Channel AIS Receiver

Wi-Fi
Wireless Microphone Capable

Optional Wireless Remote Microphone Capable (RAM4X: SSM-72H)

Waypoint Nav & Compass
displays

GPS Compass, Waypoint and GPS status pages

NMEA2000
Compatible

NMEA2000 Compatible

IPX8
1.5 m for 30 min Submersible

Submersible IPX8 (5ft/1.5m for 30 minutes)

E20
Easy to Operate

E20 (Easy to Operate) Icon & Menu System

GPS Receiver
Built-in

Integrated 66 Channel Internal GPS receiver

ITU Class D
DSC Transceiver

Meets ITU-R M.493-15 Class D DSC (Digital Selective Calling)

Intercom

Intercom Feature between Radio and Second Station (Optional RAM4 SSM-70H or RAM4X SSM-72H)

Second Station

Second Station Remote Microphone (Optional wireless RAM4X or wired RAM4)

Group Monitor

GM (Group Monitor) Using DSC Group position Calling

Night Mode

Selectable Night Mode Display

GX2400GPS

GX2400GPS: for USA, Asia and Australia
GX2400GPS/E: for Europe

GPS BUILT-IN AIS
NMEA2000 ITC CLASS D

FEATURES

Integrated dual channel AIS (Automatic Identification System) Receiver

The GX2400GPS integrates a dual channel AIS receiver to display real-time AIS vessel information directly on the LCD display. The GX2400GPS allows you to contact an AIS ship directly using DSC function, show your vessels position in relation to AIS targets and alert you when an AIS ship may be approaching too close to your location by CPA/TCPA alarms. "Target list" and "Danger list" display also provide to avoid collision with vessels even in crowded areas, bad weather and night time.

NMEA2000 Compatibility

The integrated NMEA2000 interface supports PGN (Parameter Group Number) Navigation, AIS report, GPS and DSC functions. Simply connect the transceiver to the NMEA2000 network to complement your system with radio and DSC functions.

ITU-R M.493-15 Class D DSC (Digital Selective Calling)

The GX2400GPS is capable of DSC (Digital Selective Calling) Class-D operation with its separate Channel 70 receiver, which allows DSC calls to be received even while listening to communications on another channel. When the DSC Distress function is activated, a digital MAYDAY distress message is transmitted, including the vessel MMSI identification, Nature of Distress and includes accurate Lat and Long position information with accurate date and time helping to facilitate an immediate response. Other DSC Call types supported include Individual, Group, Urgency, Safety, Position Reports and Test Calls.

Integrated 66 channel Internal GPS Receiver

With the internal high-performance 66 channel GPS receiver, SBAS satellites (WAAS/EGNOS/MSAS/GAGAN) can be received. The GPS data is available for AIS vessel information, DSC calling, position sharing, waypoint navigation, and navigation to DSC distress calls, all performed with a few simple steps.

Optional RAM4X or RAM4 Microphone for Second Station

The optional RAM4X (Wireless Remote access microphone)*1 or RAM4 (Remote access microphone) are capable of controlling most of the radio functions including DSC, therefore it may be used as a second station and an intercom. The RAM4X can be connected via wireless access point SCU-30. And the RAM4 can be located up to 23 feet (7m)*2 away from the transceiver.

*1 Optional SCU-30 wireless access point required
*2 Optional CT-100 extension cable required

Noise Canceling for both Transmit and Receive audio

Equipped with the noise cancellation function by DSP (Digital Signal Processor) to reduce ambient noise for both transmission and reception, enabling clear communication. In addition, the AF PITCH CONTROL function can be adjusted to the optimum receiving audio level (High/Low frequencies) that is easy to hear according to the noise conditions.

Selectable Display Mode (Night Mode Display)

The display is selectable between DAY mode and NIGHT mode. The NIGHT mode display improves visibility at night by inverting the black and white dots of the display from the DAY mode.

Other Valuable Features

- AIS/AIS SART target display : MMSI, Call sign, Ship name, BRG, DST, SOG and COG
- Commercial grade receiver (Spurious & Image rejection better than -80dB)
- DSC position request and report functions
- Navigation (LAT/LON, Time SOG and COG) information Shown on Display
- Compass page, to Enter, Save and Navigate with destination & waypoints
- NMEA 0183 Connectivity
- MOB (Man Over Board) Operation
- Excellent Visibility with Busy LED Indicator
- Versatile user-Programmable scanning, priority scan, and Dual / Triple Watch
- 30 Watt PA/Loud Hailer with preprogrammed fog signals and listen back
- Integrated 32 code voice scrambler and 4 code voice scrambler
- NOAA Weather Alert function (Only available in NOAA service areas)
- ATIS Mode for European Inland Waterways (GX2400GPS/E only)

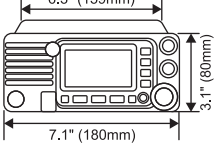
SPECIFICATIONS

General	
Channels	All International, USA and Canadian (Depending on the version)
Channel Spacing	25kHz
Frequency Stability	±3ppm -4°F to +140°F (-20°C to +60°C)
Emission Type	16K0G3E, 16K0G2B
Antenna Impedance	50 Ohms
Supply Voltage	13.8VDC ±20%
Current Consumption	0.9A (Receive), 0.55A (Standby) TX:5.0A/1.0A (TX:25W /1W)
Operating Temperature	-4°F to +140°F (-20°C to +60°C)
Waterproof rating	IPX8 (5ft/1.5m for 30 minutes)
Dimensions(WxHxD)	7.1"x3.1"x6.0" (180x80x152.6 mm)
Flush Mount Dimensions(WxHxD)	6.3"x2.6"x6.2" (161x65x157 mm)
Weight(Approx.)	3.3 lbs (1.5kg)
Transmitter	
Frequency Range	Marine band 156.025MHz - 157.425MHz (USA) 156.025MHz - 161.600MHz (International)
RF Output Power	25W / 1W
Maximum Deviation	±5.0kHz
Spurious Emission	-80dBc / -66dBc (TX:25W / 1W)
Receiver	
Frequency Range	Marine band 156.050MHz - 163.275MHz (For AIS)161.975MHz(CH A), 162.025MHz(CH B)
Circuit Type	Double-Conversion Superheterodyne
Sensitivity(12dB SINAD)	0.30µV, 0.5µV (for AIS)
Spurious and Image Rejection	80dB for Voice (75dB for DSC)
Intermodulation	75dB for Voice (75dB for DSC)
AF Output	4.5W
GPS	
Receiver Channels	66 Channels
Sensitivity	Less than -147dBm
Time to First Fix	1 min typical (@Cold Start) 5 sec typical (@Hot Start)
Geodetic Datum	WGS84
SBAS Correction	WAAS, EGNOS, MSAS and GAGAN

SUPPLIED ACCESSORIES

- DC Power Cord
- Mounting Bracket
- USB Cable

OPTIONAL ACCESSORIES					
SSM-72H Wireless Remote Access Microphone (RAM4X)  * Requires optional Wireless Access point (SCU-30)	SSM-70H Remote Access Microphone (RAM4) 	SCU-30 Wireless Access Point for SSM-72H (49ft/15m cable) 	MLS-300 External Speaker 	SCU-38 External GPS Antenna 	
220SW 130mm Round 30W Hail/PA Horn 	240SW W224 x H163mm Rectangular 40W Hail/PA Horn 	MMB-84 Flush Mount Bracket 	CT-100 Extension Cable for SSM-70H (23ft/7m cable) 	SDD-14 USB DC Charger with Cigarette Lighter Plug for SSM-72H 	HC2400 Dust Cover 

DIMENSIONS	REAR PANEL
	<ol style="list-style-type: none"> External speaker Connection Cable PA/HAIL Connection Cable DC Input Cable NMEA0183
